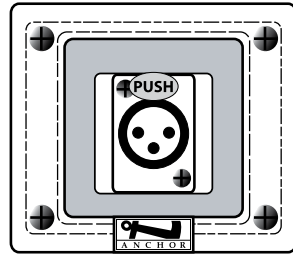


ADMIRAL ASSEMBLY

ADMIRAL LECTERN PARTS LIST

- (A) Lectern Base 1 ea.
- (B) Left Side Panel..... 1 ea.
- (C) Right Side Panel 1 ea.
- (D) Front Panel..... 1 ea.
- (E) Lectern Shelf 1 ea.
- (F) Lectern Top..... 1 ea.
- (G) Screws 13 ea.



GOOSENECK SHOCK MOUNT JACK

Required Tools: Phillips-Head Screwdriver

ASSEMBLY INSTRUCTIONS

1. Place LECTERN BASE (A) on level ground with wheel side down.
2. Attach LEFT (B) and RIGHT (C) SIDE PANELS to BASE using two (2) screws per panel
3. Fit FRONT PANEL (D) into place and screw in LECTERN BASE
4. Insert SHELF (E) as shown and secure with three (3) screws
5. Position LECTERN TOP (F) and attach from below with six (6) screws
6. Connect gooseneck microphone firmly in the XLR shock mount input on LECTERN TOP (F)

Note: Do not use a power tool to assemble. Over-tightening the screws may cause wood to fracture. If installing a sound system, be sure to measure it and place shelf accordingly.

CONNECTING A PORTABLE SOUND SYSTEM

After the Admiral is fully assembled:

1. Position ADMIRAL lectern upright on a flat surface
2. Place portable sound system inside the cabinet on shelf as shown
3. Connect lectern XLR cable to sound system

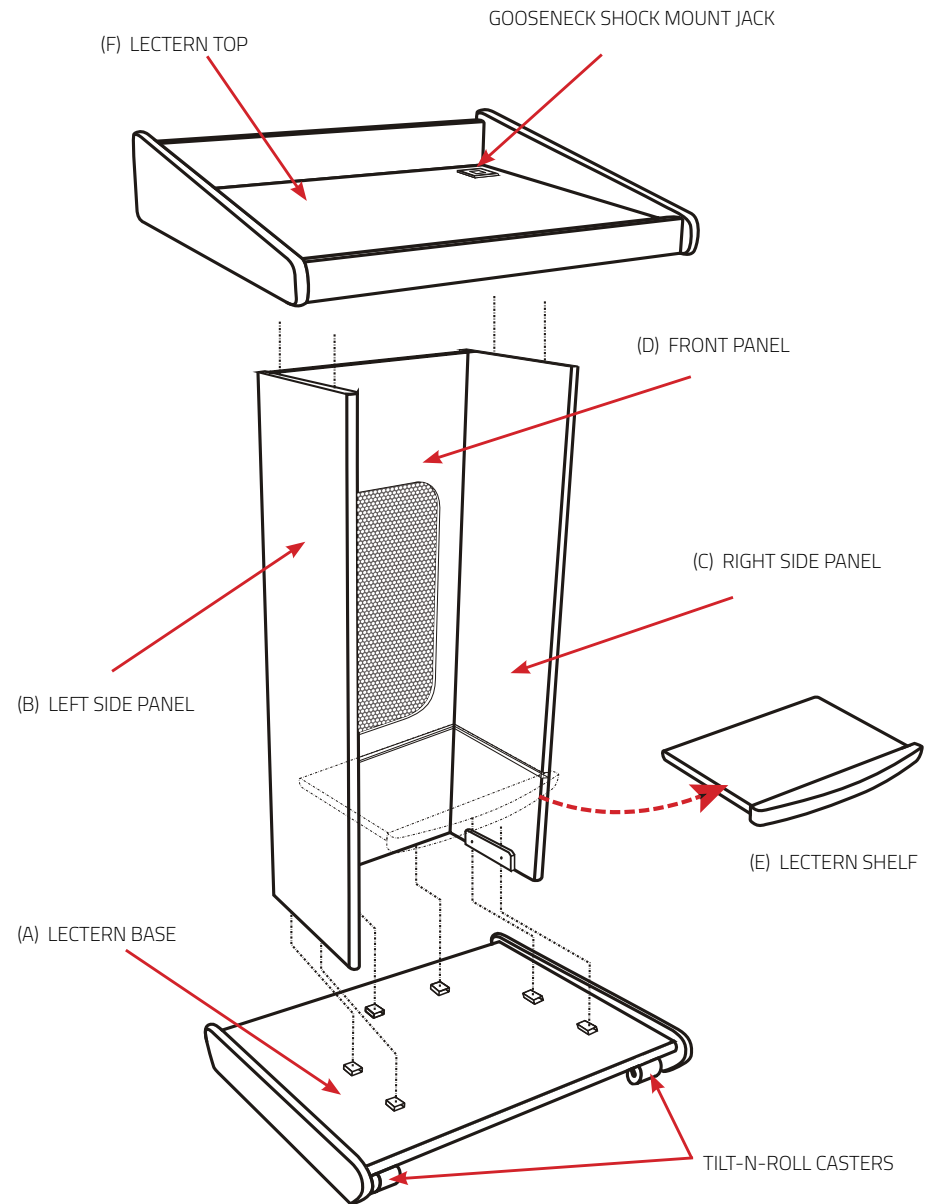
Note: See your sound system manual for operational instructions.

CONNECTING AN IN-HOUSE SOUND SYSTEM

1. Connect an XLR cable to the ADMIRAL's XLR cable (male to female)
2. Connect the other end of the XLR cable to your main audio mixer



ADMIRAL PORTABLE LECTERN



NOTE: Elevate lectern when possible to project sound over listeners in front.

COMPATIBLE ANCHOR AUDIO SOUND SYSTEMS



Liberty 2



Go Getter 2

TECHNICAL SPECIFICATIONS

Input	Female XLR
Output	Male XLR
FL-7500 Assembled Dimensions	
Total (HWD)	46" x 25" x 20" (117 x 64 x 51 cm)
Tabletop (HWD)	24" x 21.5" (61 x 55 cm)
Console Opening	22" x 14.25" x 15" (66 x 36.2 x 38.1 cm)
Weight	75 lbs / 34 Kg
FL-7500 Shipping Dimensions	
Total (HWD)	17" x 24" x 39" (43.2 x 61 x 99.1 cm)
Weight	79 lbs / 36 Kg
LM-618 Gooseneck Microphone	
Element Type	Electret Condensor
Polar Patter	Unidirectional, cardioid
Frequency Response	50 - 18,000 Hz
Sensitivity	-70 ± 3 dB (0 dB = 1 volt/microbar)
Output Impedence	600 ohms ± 30% @ 1,000 Hz (Balanced)
Operating Voltage	9 to 52V DC Phantom
Maximum SPL	130 dB
Connector	3-pin Male XLR
Dimensions (HW)	25" x 0.5" (63.5 x 1.27 cm)

NEED MORE HELP?
anchoraudio.com | 800.262.4671



QUICK START MANUAL



100-0310-000 REV B

ADMIRAL

For a complete Owner's Manual, visit anchoraudio.com

Please check your new unit carefully for any damage which may have occurred during shipment.

*Please keep the product box(es) that your Anchor Audio product(s) was shipped in, so it is available in the event the product(s) need to be shipped back to Anchor Audio for any reason.